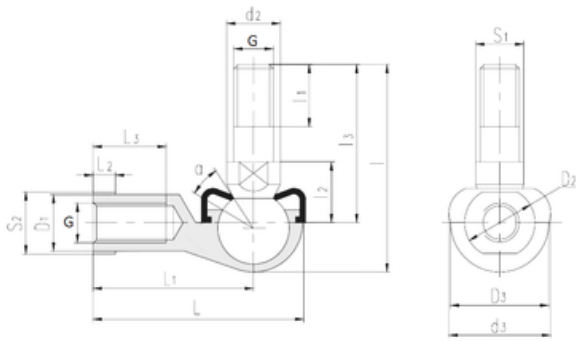




Air Suspension Bearing Co., Ltd



LS SQL22-RS plain bearings

Bearing No. SQL22-RS

S1	24 mm
L2	12 mm
L3	41 mm
I	95 mm
d2	27 mm
d3	52 mm
I1 min.	26 mm
I2 max.	28 mm
I3 min.	70 mm
D1	30 mm
D2	37 mm
D3	50 mm
L	109 mm
L1	84 mm
S2	32 mm
Thread (G)	M22 × 1,5
Angle	16 °
Weight	0,713 Kg

SQL22-RS Bearing 2D drawings and 3D CAD models