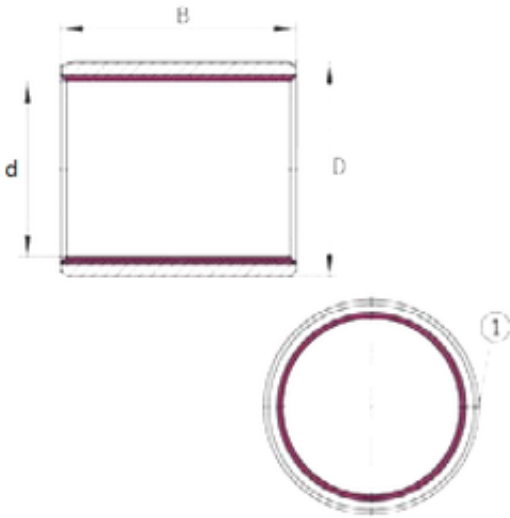




Air Suspension Bearing Co., Ltd



EGB2215-E40 Bearing 2D drawings and 3D CAD models

22 mm x 25 mm x 15 mm INA EGB2215-E40 plain bearings

Bearing No. EGB2215-E40

| | |
|----------------------|---|
| Size | 22x25x15 mm |
| Bore Diameter | 22 mm |
| Outer Diameter | 25 mm |
| Width | 15 mm |
| d | 22 mm |
| D | 25 mm |
| B | 15 mm |
| Category | Sleeve Bearings |
| Inventory | 52.0 |
| Manufacturer Name | SCHAEFFLER GROUP |
| Minimum Buy Quantity | N/A |
| Weight / Kilogram | 0.019 |
| EAN | 4012802681727 |
| Product Group | B04264 |
| Profile | Bushing No Flange Split |
| Material Description | Steel Backing, Bronze Innerstructure, PTFE-lead Overlay |
| Material | Permaglide P10 |
| Inch - Metric | Metric |
| Long Description | 22MM Nominal Bore; 25MM Nominal Outside Diameter; 15MM Length Thru Bore; Bushing No Flange Split Profile; Steel Backing, Bronze Innerstructure, PTFE-lead Overlay; Permaglide P10 |



Air Suspension Bearing Co., Ltd

| | Material |
|--------------------------|---|
| Category | Sleeve Bearings |
| UNSPSC | 31171515 |
| Harmonized Tariff Code | 84833080 |
| Noun | Bearing |
| Keyword String | Plain |
| Manufacturer URL | http://www.ina.com |
| Manufacturer Item Number | PAP2215P10 |
| Weight / LBS | 0.042 |
| Length Thru Bore | 0.591 Inch 15 Millimeter |
| Nominal Outside Diameter | 0.984 Inch 25 Millimeter |
| Nominal Bore | 0.866 Inch 22 Millimeter |