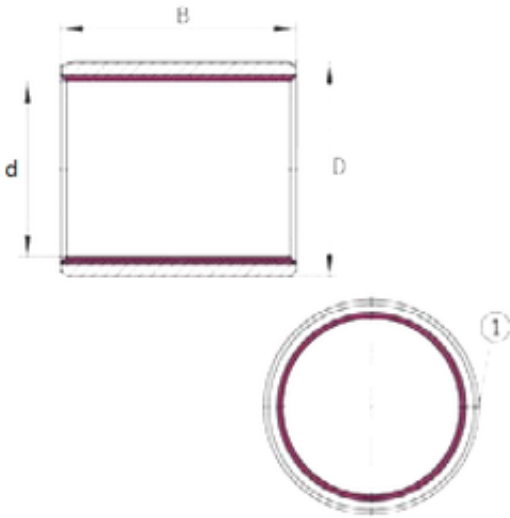




Air Suspension Bearing Co., Ltd



6 mm x 8 mm x 10 mm INA EGB0610-E40-B
plain bearings

Bearing No. EGB0610-E40-B

EGB0610-E40-B Bearing 2D drawings and 3D CAD models

Size	6x8x10 mm
Bore Diameter	6 mm
Outer Diameter	8 mm
Width	10 mm
d	6 mm
D	8 mm
B	10 mm
Category	Sleeve Bearings
Inventory	100.0
Manufacturer Name	SCHAEFFLER GROUP
Minimum Buy Quantity	N/A
Weight / Kilogram	0.008
Product Group	B04264
Profile	Bushing No Flange Split
Material Description	Bronze Backing, Bronze Innerstructure, PTFE-lead Overlay
Material	Permaglide P11
Inch - Metric	Metric
Long Description	6MM Nominal Bore; 8MM Nominal Outside Diameter; 10MM Length Thru Bore; Bushing No Flange Split Profile; Bronze Backing, Bronze Innerstructure, PTFE-lead Overlay; Permaglide P11 Material
Category	Sleeve Bearings



Air Suspension Bearing Co., Ltd

UNSPSC	31171515
Harmonized Tariff Code	84833080
Noun	Bearing
Keyword String	Plain
Manufacturer URL	http://www.ina.com
Manufacturer Item Number	PAP0610P11
Weight / LBS	0.017
Nominal Outside Diameter	0.315 Inch 8 Millimeter
Nominal Bore	0.236 Inch 6 Millimeter
Length Thru Bore	0.394 Inch 10 Millimeter