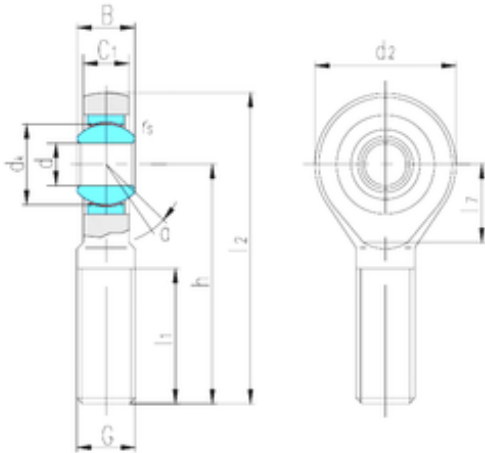




Air Suspension Bearing Co., Ltd

LS SA80ET-2RS plain bearings

Bearing No. SA80ET-2RS



SA80ET-2RS Bearing 2D drawings and 3D CAD models

Bore Diameter	80 mm
d	80 mm
B	55 mm
d2	180 mm
dk	105 mm
h	270 mm
l1 min.	140 mm
l2 max.	360 mm
l7 min.	105,5 mm
r min.	1 mm
C1 max	48 mm
Thread (G)	M64 × 4
Angle	6 °
Weight	12 Kg
Basic dynamic load rating (C)	705 kN