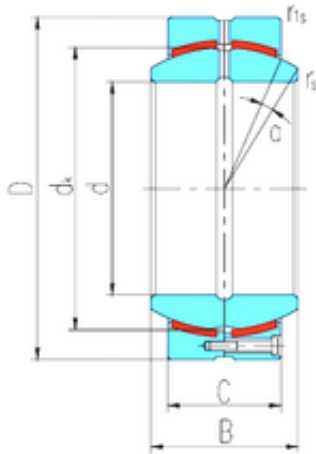




Air Suspension Bearing Co., Ltd



240 mm x 340 mm x 170 mm LS GEH240HCS
plain bearings

Bearing No. GEH240HCS

Size	240x340x170 mm
Bore Diameter	240 mm
Outer Diameter	340 mm
Width	170 mm
d	240 mm
D	340 mm
B	170 mm
C	162 mm
dk	310 mm
r min.	1,1 mm
r1 min.	1,1 mm
Angle	2 °
Weight	57,9 Kg
Basic dynamic load rating (C)	5020 kN

GEH240HCS Bearing 2D drawings and 3D CAD models