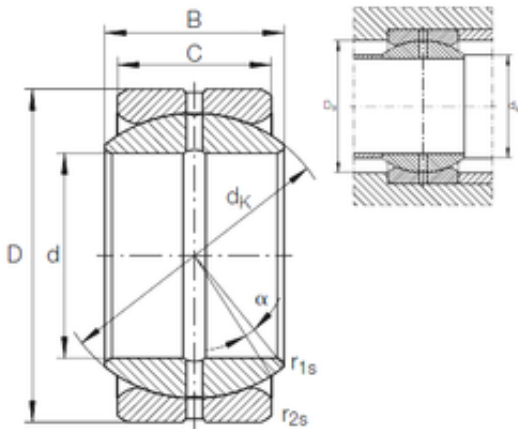




Air Suspension Bearing Co., Ltd



25,4 mm x 41,275 mm x 22,225 mm INA GE 25 ZO plain bearings

Bearing No. GE 25 ZO

Size	25.4x41.275x22.225 mm
Bore Diameter	25,4 mm
Outer Diameter	41,275 mm
Width	22,225 mm
d	25,4 mm
D	41,275 mm
B	22,225 mm
C	19,05 mm
dk	35,5 mm
r1 min.	0,3 mm
r2 min.	0,6 mm
da max	27,6 mm
Da min	31,5 mm
Angle	6 °
Weight	0,12 Kg
Basic dynamic load rating (C)	54,1 kN

GE 25 ZO Bearing 2D drawings and 3D CAD models