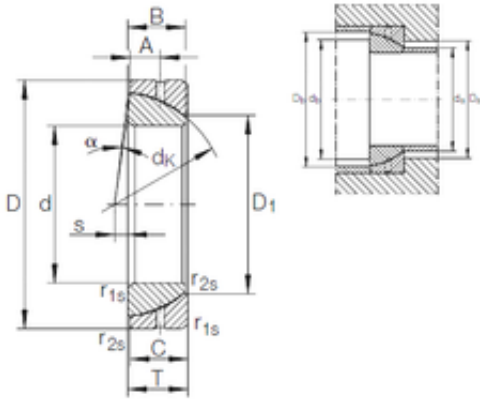




# Air Suspension Bearing Co., Ltd

## 45 mm x 75 mm x 19 mm INA GE 45 SX plain bearings



GE 45 SX Bearing 2D drawings and 3D CAD models

Bearing No. GE 45 SX

Size	45x75x20 mm
Bore Diameter	45 mm
Outer Diameter	75 mm
Width	20 mm
d	45 mm
D	75 mm
T	20 mm
B	19 mm
C	19 mm
dk	66 mm
r1 min.	1 mm
r2 min.	0,3 mm
A	10 mm
D1	52,9 mm
S	1,5 mm
da max	51,7 mm
Da min	58 mm
db min	60 mm
Db min.	67 mm
Angle	1,7 °
Weight	0,42 Kg
Basic dynamic load rating (C)	106 kN