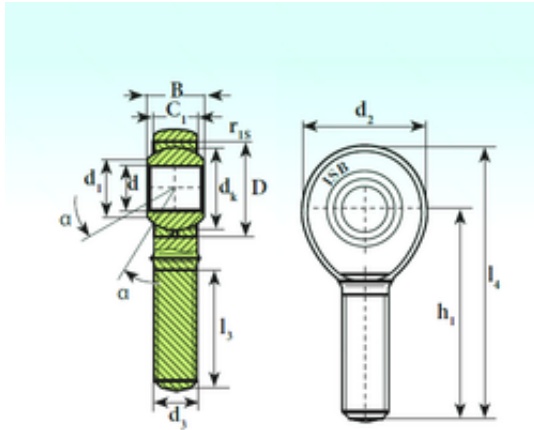




# Air Suspension Bearing Co., Ltd



TSM 12.1 C Bearing 2D drawings and 3D CAD models

12 mm x 26 mm x 16 mm ISB TSM 12.1 C plain bearings

Bearing No. TSM 12.1 C

Size	12x26x16 mm
Bore Diameter	12 mm
Outer Diameter	26 mm
Width	16 mm
d	12 mm
D	26 mm
B	16 mm
d1	15,4 mm
d2	32 mm
dk	22,23 mm
h1	54 mm
l3 min.	32 mm
l4 max.	71 mm
r min.	0,3 mm
C1	12,5 mm
Thread (G)	M12x1,25
Angle	13 °
Weight	0,085 Kg
Basic dynamic load rating (C)	14 kN