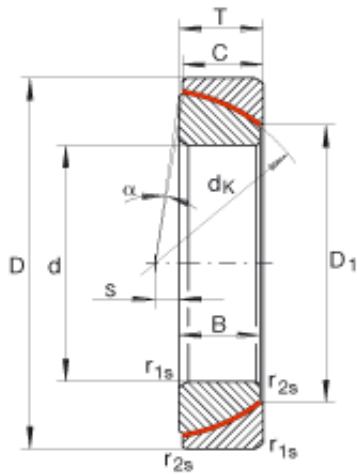




Air Suspension Bearing Co., Ltd



GE40-SW Bearing 2D drawings and 3D CAD models

INA GE40-SW plain bearings

Bearing No. GE40-SW

Size	40x68x18 mm
Bore Diameter	40 mm
Outer Diameter	68 mm
Width	18 mm
T	19 mm
C	18 mm
D ₁	46,8 mm
D _{a min}	52 mm
d _{a max}	45,5 mm
d _{b max}	54 mm
d _K	60 mm
D _{b min}	61 mm
r _{1s min}	0,3 mm
s	1,5 mm
alf (°)	1,9
Weight (kg)	0,33
C _r (N)	272000
C _{0r} (N)	454000
Category	Spherical Plain Bearings - Thrust
Inventory	0.0
Manufacturer Name	SCHAEFFLER GROUP
Minimum Buy Quantity	N/A
Weight / Kilogram	0.395
Product Group	B04264



Air Suspension Bearing Co., Ltd

Rolling Element	Spherical Plain
Self Aligning	Yes
Material - Outer Member	Steel
Material - Ball	Steel
Material - Liner	Teflon
Enclosure	Open
Relubricatable	No
Other Features	Angular Contact Single Direction
Long Description	40MM Bore; 68MM Housing Outside Diameter; 19MM Overall Width; Spherical Plain; Self Aligning; Steel Outer Member; Steel Ball; Teflon Liner; 61MM Ball Outside Diam; 18MM Housing Width; Not Relubricatab
Inch - Metric	Metric
Category	Plain Bearings Spherical Thrust
UNSPSC	31171515
Harmonized Tariff Code	8483.30.80.70
Noun	Bearing
Keyword 3	Spherical
Keyword String	Plain Thrust Spherical
Manufacturer URL	http://www.ina.com
Manufacturer Item Number	GE40SW
Weight / LBS	0.75
Housing Outside Diameter	2.677 Inch 68 Millimeter
Ball Outside Diameter	2.402 Inch 61 Millimeter
Overall Width	0.748 Inch 19 Millimeter
Housing Width	0.709 Inch 18 Millimeter
Bore	1.575 Inch 40 Millimeter