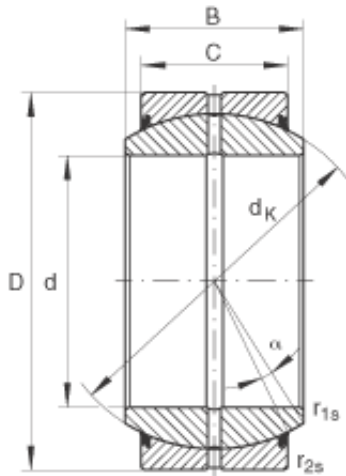




# Air Suspension Bearing Co., Ltd



GE40-DO-2RS Bearing 2D drawings and 3D CAD models

## INA GE40-DO-2RS plain bearings

Bearing No. GE40-DO-2RS

Size	40x62x28 mm
Bore Diameter	40 mm
Outer Diameter	62 mm
Width	28 mm
C	22 mm
$D_{a \min}$	51 mm
$d_{a \max}$	45 mm
$d_K$	53 mm
$r_{1s \min}$	0,6 mm
$r_{2s \min}$	1 mm
alf ( ° )	7
Weight (kg)	0,3
$C_r$ (N)	99100
$C_{Or}$ (N)	496000
Category	Spherical Plain Bearings - Radial
Inventory	0.0
Manufacturer Name	SCHAEFFLER GROUP
Minimum Buy Quantity	N/A
Weight / Kilogram	0
Product Group	B04120
Component	Complete with Outer and Inner Ring
Self Aligning	Yes
Rolling Element	Spherical Plain Bearing
Material - Outer Member	Steel



## Air Suspension Bearing Co., Ltd

Material - Ball	Steel
Material - Liner	Not Applicable
Relubricatable	Yes
Enclosure	2 Seals
Other Features	2 Piece   Axially Split Outer Ring
Long Description	40MM Bore; 22MM Housing Width; 62MM Outside Diameter; Complete with Outer and Inner Ring; Self Aligning; Spherical Plain Bearing; Steel Outer Member; Steel Ball; 2 Seals; 28MM Overall Width; Relubrica
Inch - Metric	Metric
Category	Plain Bearings Spherical Radial
UNSPSC	31171515
Harmonized Tariff Code	8483.30.80.70
Noun	Bearing
Keyword 3	Spherical
Keyword String	Plain Radial Spherical
Manufacturer URL	<a href="http://www.ina.com">http://www.ina.com</a>
Manufacturer Item Number	GE40DO2RS
Weight / LBS	0.662
Housing Width	0.866 Inch   22 Millimeter
Bore	1.575 Inch   40 Millimeter
Overall Width	1.102 Inch   28 Millimeter
Outside Diameter	2.441 Inch   62 Millimeter