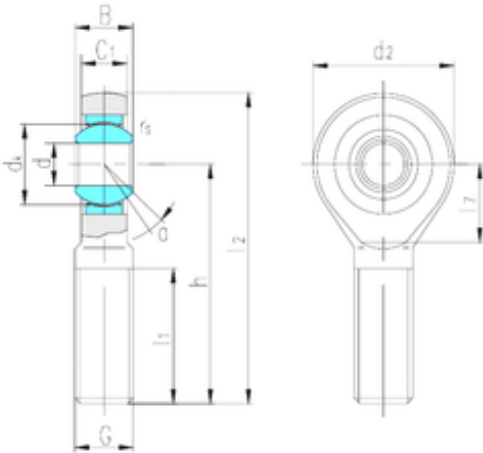




Air Suspension Bearing Co., Ltd

LS SA50ET-2RS plain bearings

Bearing No. SA50ET-2RS



SA50ET-2RS Bearing 2D drawings and 3D CAD models

Bore Diameter	50 mm
d	50 mm
B	35 mm
d2	112 mm
dk	66 mm
h	185 mm
l1 min.	104 mm
l2 max.	241 mm
l7 min.	60 mm
r min.	0,6 mm
C1 max	31 mm
Thread (G)	M45 × 3
Angle	6 °
Weight	3,6 Kg
Basic dynamic load rating (C)	275 kN