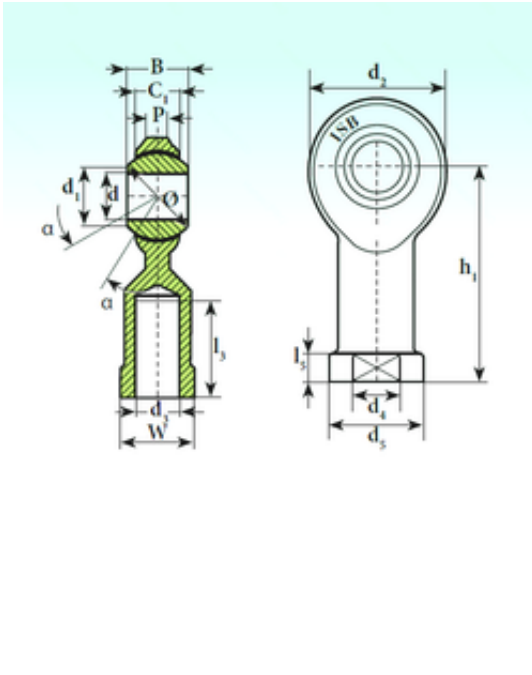




Air Suspension Bearing Co., Ltd



TSF.R 25 Bearing 2D drawings and 3D CAD models

ISB TSF.R 25 plain bearings

Bearing No. TSF.R 25

Bore Diameter	25 mm
d	25 mm
B	31 mm
P	12 mm
d1	29,6 mm
d2	56 mm
d4	34 mm
h1	94 mm
l3 min.	48 mm
l5	12 mm
C1	20 mm
W	36 mm
	42,85 mm
Thread (G)	M24x2
Angle	15 °
d5	42 r/min
Weight	0,680 Kg