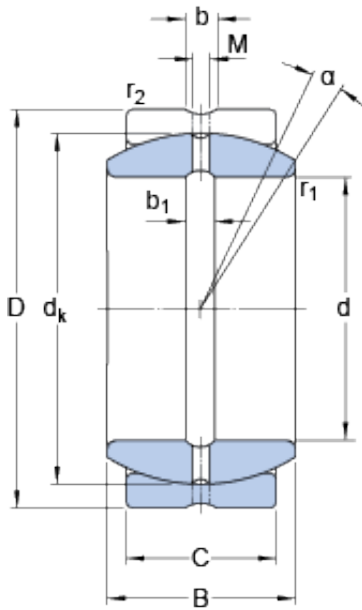




# Air Suspension Bearing Co., Ltd

## 80 mm x 120 mm x 55 mm SKF GE 80 ES plain bearings

Bearing No. GE 80 ES



GE 80 ES Bearing 2D drawings and 3D CAD models

Size	120x80x55 mm
Bore Diameter	120 mm
Outer Diameter	80 mm
Width	55 mm
d	80 mm
D	120 mm
B	55 mm
C	45 mm
	6 °
d <sub>k</sub>	105 mm
b	7.7 mm
b <sub>1</sub>	7.7 mm
M	4 mm
r <sub>1</sub> - min.	1 mm
r <sub>2</sub> - min.	1 mm
d <sub>a</sub> - min.	87.1 mm
d <sub>a</sub> - max.	89.4 mm
D <sub>a</sub> - min.	99.7 mm
D <sub>a</sub> - max.	113.8 mm
r <sub>a</sub> - max.	1 mm
r <sub>b</sub> - max.	1 mm
Basic dynamic load rating - C	400 kN
Basic static load rating - C <sub>0</sub>	2000 kN
Specific factor dynamic load - K	100 N/mm <sup>2</sup>



## Air Suspension Bearing Co., Ltd

Specific factor static load - $K_0$	500 N/mm <sup>2</sup>
Constant - $K_M$	330
Category	Spherical Plain Bearings - Radial
Inventory	0.0
Manufacturer Name	SKF
Minimum Buy Quantity	N/A
Weight / Kilogram	2.3
EAN	7316576609466
Product Group	B04264
Self Aligning	Yes
Rolling Element	Spherical Plain
Material - Outer Member	Steel
Material - Ball	Steel
Material - Liner	Not Applicable
Relubricatable	Yes
Enclosure	Open
Other Features	2 Piece   Lubrication Hole and an Annular Groove in Both Rings
Long Description	80MM Bore; 45MM Housing Width; 120MM Outside Diameter; Spherical Plain; Steel Outer Member; Steel Ball; No Liner; 55MM Overall Width; Relubricatable
Inch - Metric	Metric
Category	Plain Bearings Spherical Radial
UNSPSC	31171515
Harmonized Tariff Code	8483.30.80.70
Noun	Bearing
Keyword 3	Spherical



## Air Suspension Bearing Co., Ltd

Keyword String	Plain Spherical Radial
Manufacturer URL	<a href="http://www.skf.com">http://www.skf.com</a>
Manufacturer Item Number	GE 80 ES
Weight / LBS	5.071
Housing Width	1.772 Inch   45 Millimeter
Overall Width	2.165 Inch   55 Millimeter
Bore	3.15 Inch   80 Millimeter
Outside Diameter	4.724 Inch   120 Millimeter
bore diameter:	80 mm
inner ring material:	Chrome Steel
outside diameter:	120 mm
outer ring width:	45 mm
misalignment angle:	6 °
grade:	Commercial/Industrial
inner ring width:	55 mm
overall width:	55 mm
bearing type:	Radial
radial static load capacity:	2000 kN
lubrication type:	Requires Lubrication
radial dynamic load capacity:	400 kN
closure type:	Open
operating temperature range:	-50 to +200 ° C ° F
outer ring material:	Chrome Steel
manufacturer upc number:	7316576609466
Lubricant	Regular relubrication – grease
Design (sliding contact surface combination)	Steel/steel
Sealing solution	-
	6 °
d <sub>k</sub>	105 mm



## Air Suspension Bearing Co., Ltd

$b_1$	7.7 mm
$r_1$ min.	1 mm
$r_2$ min.	1 mm
$d_a$ min.	87.1 mm
$d_a$ max.	89.4 mm
$D_a$ min.	99.7 mm
$D_a$ max.	113.8 mm
$r_a$ max.	1 mm
$r_b$ max.	1 mm
Basic dynamic load rating C	400 kN
Basic static load rating $C_0$	2000 kN
Specific dynamic load factor K	100 N/mm <sup>2</sup>
Specific static load factor $K_0$	500 N/mm <sup>2</sup>
Material constant $K_M$	330
Mass plain bearing	2.3 kg