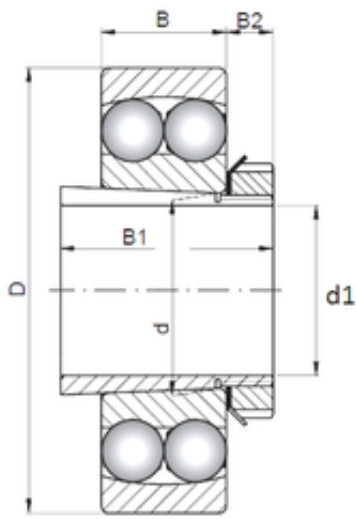




Air Suspension Bearing Co., Ltd



25 mm x 52 mm x 18 mm ISO 2205K+H305 self aligning ball bearings

Bearing No. 2205K+H305

| | |
|----------------|-------------|
| Size | 25x52x18 mm |
| Bore Diameter | 25 mm |
| Outer Diameter | 52 mm |
| Width | 18 mm |
| d | 25 mm |
| d1 | 20 mm |
| D | 52 mm |
| B | 18 mm |
| C | 18 mm |
| B1 | 29 mm |
| B2 | 8 mm |

2205K+H305 Bearing 2D drawings and 3D CAD models