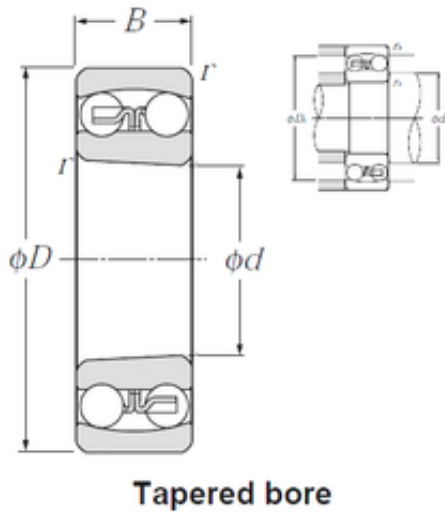




Air Suspension Bearing Co., Ltd



60 mm x 110 mm x 28 mm NTN 2212SK self aligning ball bearings

Bearing No. 2212SK

2212SK Bearing 2D drawings and 3D CAD models

Size	60x110x28 mm
Bore Diameter	60 mm
Outer Diameter	110 mm
Width	28 mm
d	60 mm
D	110 mm
B	28 mm
C	28 mm
r min.	1,5 mm
da min.	68 mm
Da max.	102 mm
ra max.	1,5 mm
Weight	1,03 Kg
Basic dynamic load rating (C)	34 kN
Basic static load rating (C0)	12,6 kN
(Grease) Lubrication Speed	5 300 r/min
(Oil) Lubrication Speed	6 300 r/min
Calculation factor (e)	0,28
Calculation factor (Y0)	2,4
Calculation factor (Y1)	2,3
rs min	1.5 mm
Associated sleeve reference	H312X
e	0.28
Y1	2.3
Y2	3.5



Air Suspension Bearing Co., Ltd

Y0	2.4
Radial clearance class	CN
Precision class	P0
Mass	1.03 kg
Dynamic load, C	34 kN
Static load, C0	12.6 kN
Nlim (oil)	6,300 rpm
Nlim (grease)	5,300 rpm
Min operating temperature, Tmin	-20 ° C
Max operating temperature, Tmax	120 ° C
da min	68 mm
da max	75 mm
db min	65 mm
Ce min	9 mm
Da max	102 mm
ra max	1.5 mm