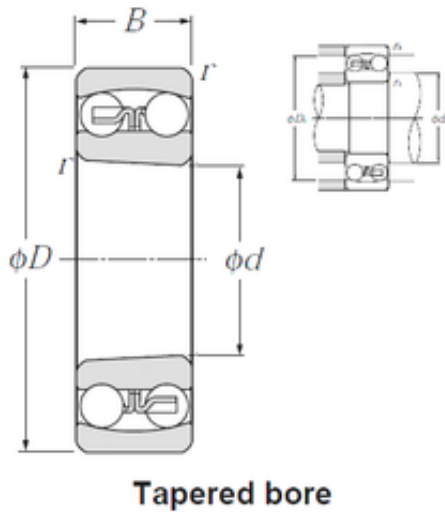




Air Suspension Bearing Co., Ltd



25 mm x 62 mm x 17 mm NTN 1305SK self aligning ball bearings

Bearing No. 1305SK

Size	25x62x17 mm
Bore Diameter	25 mm
Outer Diameter	62 mm
Width	17 mm
d	25 mm
D	62 mm
B	17 mm
C	17 mm
r min.	1,1 mm
da min.	31,5 mm
Da max.	55,5 mm
ra max.	1 mm
Weight	0,255 Kg
Basic dynamic load rating (C)	18,2 kN
Basic static load rating (C0)	5 kN
(Grease) Lubrication Speed	10 000 r/min
(Oil) Lubrication Speed	13 000 r/min
Calculation factor (e)	0,28
Calculation factor (Y0)	2,4
Calculation factor (Y1)	2,3
rs min	1.1 mm
Associated sleeve reference	H305X
e	0.28
Y1	2.3
Y2	3.5

1305SK Bearing 2D drawings and 3D CAD models



Air Suspension Bearing Co., Ltd

Y0	2.4
Radial clearance class	CN
Precision class	P0
Mass	0.26 kg
Dynamic load, C	18.2 kN
Static load, C0	5 kN
Nlim (oil)	13,000 rpm
Nlim (grease)	10,000 rpm
Min operating temperature, Tmin	-20 ° C
Max operating temperature, Tmax	120 ° C
da min	31.5 mm
da max	37 mm
db min	29 mm
Ce min	6 mm
Da max	55.5 mm
ra max	1 mm