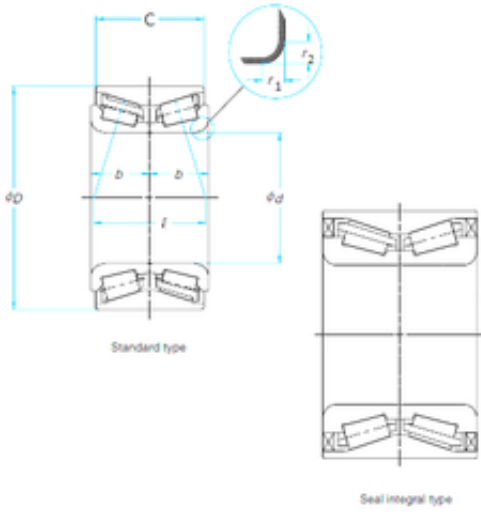




Air Suspension Bearing Co., Ltd



30 mm x 62 mm x 48 mm SNR FC41645 tapered roller bearings

Bearing No. FC41645

Size	30x62x48 mm
Bore Diameter	30 mm
Outer Diameter	62 mm
Width	48 mm
d	30 mm
D	62 mm
B	48 mm
C	48 mm

FC41645 Bearing 2D drawings and 3D CAD models