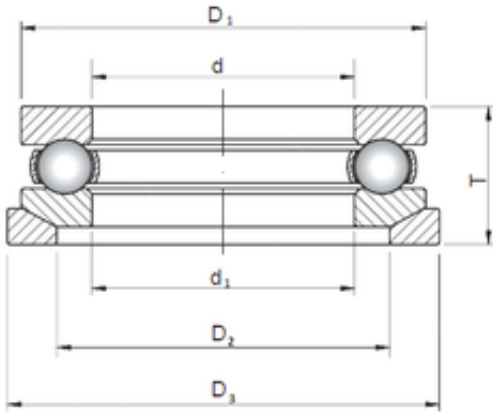




Air Suspension Bearing Co., Ltd

ISO 53314U+U314 thrust ball bearings

Bearing No. 53314U+U314



Bore Diameter	70 mm
Outer Diameter	125 mm
d	70 mm
d1	72 mm
D	125 mm
D1	125 mm
T	48 mm
D2	98 mm
D3	130 mm

53314U+U314 Bearing 2D drawings and 3D CAD models