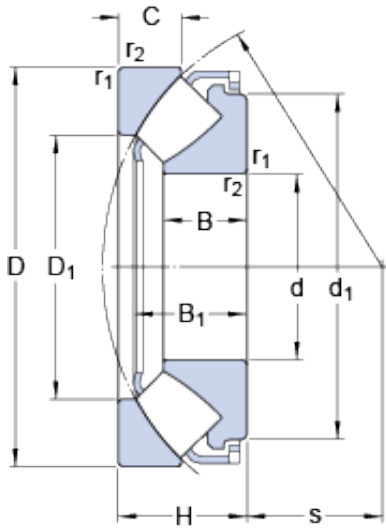




Air Suspension Bearing Co., Ltd



29436 E Bearing 2D drawings and 3D CAD models

180 mm x 360 mm x 69.5 mm SKF 29436 E
thrust roller bearings

Bearing No. 29436 E

Size	360x180x109 mm
Bore Diameter	360 mm
Outer Diameter	180 mm
Width	109 mm
d	180 mm
D	360 mm
H	109 mm
d ₁	315 mm
D ₁	250 mm
B	69.5 mm
B ₁	96.4 mm
C	53 mm
s	110 mm
r _{1,2} - min.	5 mm
d _a - min.	265 mm
d _{b1} - max.	196 mm
d _{b2} - max.	210 mm
D _a - max.	304 mm
r _a - max.	4 mm
Basic dynamic load rating - C	2600 kN
Basic static load rating - C ₀	7350 kN
Fatigue load limit - P _u	710 kN
Reference speed	1000 r/min
Limiting speed	1800 r/min



Air Suspension Bearing Co., Ltd

Factor min. axial load - A	5.1
Category	Thrust Roller Bearing
Inventory	0.0
Manufacturer Name	SKF
Minimum Buy Quantity	N/A
Weight / Kilogram	49.545
EAN	7316576609145
Product Group	B04311
Rolling Element	Spherical Roller Bearing
Self Aligning	Yes
Component Description	Roller Assembly plus Raceways
Thrust Bearing	Yes
Single or Double Direction	Single Direction
Banded	No
Cage Material	Steel
Precision Class	ABEC 1 ISO P0
Other Features	Single Row Window Type Cage
Long Description	180MM Bore 1; 250MM Bore 2; 360MM Outside Diameter; 109MM Height; Spherical Roller Bearing; Single Direction; Self Aligning; Not Banded; Steel Cage; ABEC 1 ISO P0; Roller Assembly plus Raceways
Inch - Metric	Metric
Category	Thrust Roller Bearings
UNSPSC	31171507
Harmonized Tariff Code	8482.30.00.40
Noun	Bearing
Keyword 3	Spherical
Keyword String	Thrust Roller Spherical



Air Suspension Bearing Co., Ltd

Manufacturer URL	http://www.skf.com
Manufacturer Item Number	29436 E
Weight / LBS	115.743
Bore 2	9.843 Inch 250 Millimeter
Outside Diameter	14.173 Inch 360 Millimeter
Height	4.291 Inch 109 Millimeter
Bore 1	7.087 Inch 180 Millimeter
Overall Height with Aligning Washer	0 Inch 0 Millimeter
bore diameter:	180 mm
dynamic load capacity:	2600 kN
outside diameter:	360 mm
maximum rpm:	1800 RPM
overall width:	109 mm
separable type:	Non-Separable
operating temperature range:	Maximum of +392 ° F
fillet radius:	4 mm
static load capacity:	7350 kN
series:	294
cage material:	Steel
d_1	315 mm
D_1	250 mm
B_1	96.4 mm
$r_{1,2}$ min.	5 mm
d_a min.	265 mm
d_{b1} max.	196 mm
d_{b2} max.	210 mm
D_a max.	304 mm
r_a max.	4 mm
Basic dynamic load rating C	2600 kN
Basic static load rating C_0	7350 kN
Fatigue load limit P_u	710 kN



Air Suspension Bearing Co., Ltd

Minimum axial load factor A	5.1
Mass bearing	52.5 kg